

LED HIGHMAST LIGHT

Energy Conservation
Environmental Protection
LED Inside



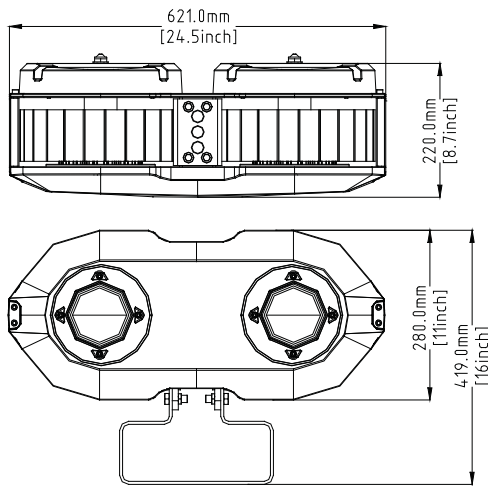
GG14100 Series



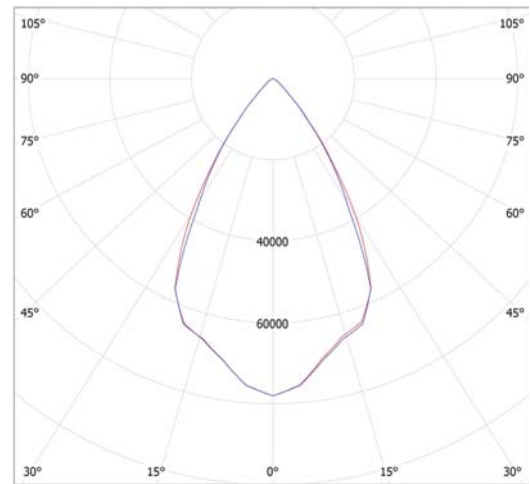
GG14100 HIGHMAST LIGHT

The GG14100 was developed to provide a legitimate LED flood light for sports lighting applications. At 40,000+ lumens, the GG14100 is the only LED flood light on the market with enough output to replace 1000W HID luminaires while actually increasing the lighting levels and reducing energy consumption. Not only does the GG14100 provide high lumen output, it does so with record setting efficiency of 105+ lumens per watt. Operating at 5000K and 70CRI, the GG14100 provides superior color quality and stability to existing probe start HID installations.

Dimension



Photometric Curve



Features

- IP66
- Aluminum Die-Casting Body with LED Module
- UV Stabilized powder coated finish
- Superior to replace 600,800,1000W HID
- UL,CUL,CE,ROHS,CCC Cetification
- Different Mounting Bracket is available
- Optional Photocell control available
- Finish-White/Holly Green/Grey/Others
- System efficacy > 100lm/W
- 100,000 hours lifespan with 5 years' warranty

Specification

Model No.	System watts	Lumen Output	Color	Weight	Input Voltage	CRI	Starting Temp	Equivalent
G14100-300-2COB	300	31500Lm	5000K	24KG	120~277V	70+	-30 C	600W HID

Note:CCT 2700K/3500K/4000K/5700K is available upon request.



INDUSTRIAL LIGHTING AUSTRALIA PTY LTD

03 9708 2032

sales@ila.melbourne

2/94 Frankston Gardens Drive,

CARRUM DOWNS

Victoria 3201



sales@ila.melbourne